

Paasche®

TG – Airbrush Double Action - Internal Mix Siphon Feed

INSTRUCTIONS AND PARTS LIST TG-4/21/2023



INTRODUCTION:

Paasche® model TG features hand crafted construction using quality materials. The body is machined brass, polished and chrome plated. Needles are stainless steel & the needle packing is PTFE. Preferred by professional and hobbyist alike.

TG Specifications:

Dual Action - Gravity Feed • Internal Mix - Cutaway handle w/ pre-set needle stop - PTFE packing

Options for Talon:

- | | |
|----------------------------|--|
| • .2mm head (T-227-0) | For jobs requiring extremely fine detail. Very thin paint. |
| • .25mm head (T-227-1) | Great for jobs requiring fine detail. Thin Paints |
| • .38mm head (T-227-2) | Installed on airbrush. Good for most spraying |
| • .66mm head (T-227-3) | Great for spraying metallics or thicker paints |
| • .66mm Fan Aircap (TAF-3) | Will give a 2-1/2 - 3 inch fan pattern. Use with size 3 tip & needle |
| • 1.0mm head (T-227-4) | Great for spraying larger metallics, thick paints or high volume |

*The larger size 4 head may require a larger compressor. Some 1/5 HP model may not deliver enough volume to maintain pressures over 20 PSI.

Working Pressures:

1. Operating pressures 15-55 PSI; Maximum pressure 75 PSI. Fan aircap needs 20 PSI or more, some small compressors may not be strong enough.
2. 20-30 PSI is best for detail spraying w/ properly thinned paint
3. Use the higher pressures for thicker material or thin the paint to allow lower pressures.

Equipment Set-up:

1. The Airbrush is held in the same manner as a pen, with index finger comfortably over the finger button.
2. Attach air hose to air supply and to airbrush. If using a regulator set pressure between 20 -55 PSI.

Airbrush Operation:

1. Attach air hose to air supply and to airbrush. If using a regulator set pressure between 20-55psi.
2. Press down on Finger Trigger to release air and pull back on trigger to control quantity of color.
3. Speed of movement controls density of color and fading effects at beginning and end of strokes.
4. Practice this movement until you can spray a fine line or a broad pattern without heavy build up at the beginning or end of your strokes.
5. For detail, hold the airbrush very close to the surface push down for air and pull back very slowly on the Finger trigger to release a small amount of paint.
6. For background work and broad effects, hold the airbrush away from the work surface and pull back on Finger trigger to release required amount of color.

REMOVING / REPLACING THE NEEDLE AND HANDLE:

1. Unscrew the handle and loosen the Locknut- #TAL-19 by turning counterclockwise. Depress the Trigger- #TAL-37 and hold in down position while removing or inserting the needle. This assures the needle moves freely through the trigger. Gently remove the needle, rotating if necessary.
2. Inspect the condition of the needle. If it is bent or misshapen in any way, replace it with a new needle. A bent needle can damage or split the Tip- #TT causing bubbles or a rough spray pattern.
3. Hold trigger in down position, insert the new needle into the Rocker Assembly- #TAL-18. Gently push needle forward until the needle stops in the front of the tip.
4. Release trigger and tighten locknut by turning clockwise.

REPLACING THE FINGER LEVER ASSEMBLY:

If the Trigger- #TAL-37 is removed, it is easiest to replace before the Rocker Assembly- #TAL-18 is inserted. The needle must be removed.

1. Hold trigger so the round side of the stem is to the front and flat side to the back of the airbrush
2. Insert trigger straight DOWN through the opening in the top of the airbrush shell.
3. You want the bottom of the trigger to cover the round ball on top of the exposed plunger. Once the connection is made you should have spring action when pushing down on the trigger. Proceed to replace Rocker Assembly- #TAL-18 and balance of parts as above. When the needle is inserted it will prevent the removal of the trigger.

REPLACING THE TIP:

1. Remove handle, loosen Locknut- #TAL-19 and withdraw needle about one inch (1").
2. Un-screw the Aircap- #TA and remove. The Tip- #TT can now be unscrewed with Wrench- #TAL-28.
3. Replace tip and tighten with wrench. The tip must be wrench tight. Push needle forward until it stops and lock.

ADJUSTING WORN PACKING WASHER:

1. If Packing Assembly- #TAL-8 becomes worn or loose it must be tightened or replaced.
2. Tighten packing nut with small screwdriver. To reach packing all internal parts must be removed.
3. Replace needle and make sure packing nut is not too tight. Slight resistance is needed when needle passes through.

CLEANING THE AIRBRUSH:

1. Spray airbrush cleaner through airbrush until it has no more color spraying out of airbrush.
2. Remove needle and wipe clean then replace.
3. If paint has dried remove the tip and aircap for soaking or soak just the front of the airbrush in cleaner.
4. Any paint cleaner is fine. Keep trigger area dry if soaking.

PERSONAL SETTINGS:

Spring Housing- #TAL-17 is to increase or decrease spring tension for the trigger pull back. Thread into the shell until the trigger stroke feels comfortable. Threading in until it stops causes the trigger to jam.

TROUBLESHOOTING:

Bubbling in cup:

1. Aircap- #TA needs to be tightened
2. Tip- #TT needs to be tightened further

Skipping or Spitting:

1. Paint too thick -reduce with thinner
2. Tip not seated -tighten Tip- #TT with wrench
3. Tip split or damaged needle -replace tip or needle
4. Needle or tip dirty -clean and replace
5. Air pressure too low - increase pressure or thin paint further (need 20 or more PSI for most paints)

Airbrush Not Spraying:

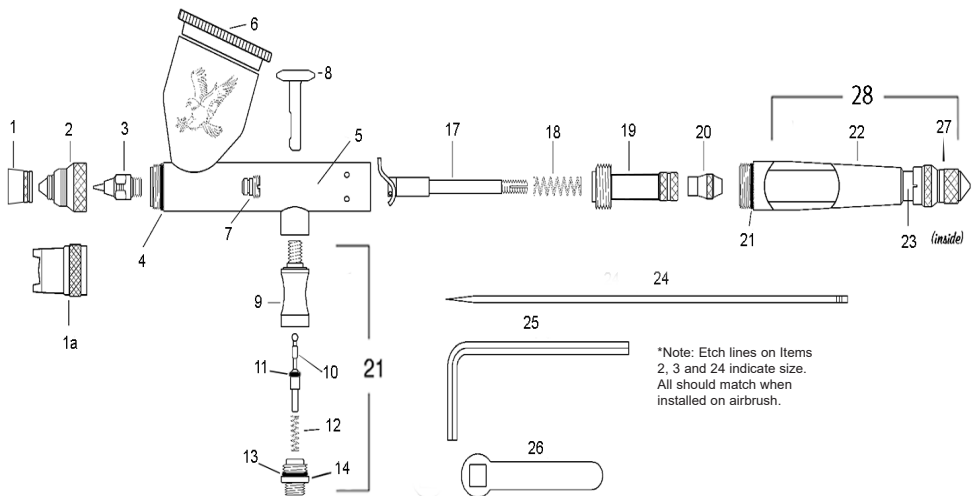
1. Clogged Tip- #TT -remove tip and clean
2. Needle not moving -tighten needle locknut
3. Low air pressure -increase pressure (need 20 or more PSI to spray most paint)

Sprays double line or heavy to one side:

1. Split Tip- #TT or bent Needle- #TN - replace
2. Dirty tip or needle - remove and clean

Jammed trigger or poor trigger motion:

1. Adjust Spring Housing- #TAL-17 - unscrew the spring housing to lessen tension on trigger motion
2. Paint leaking to trigger area - remove guts of airbrush and slightly tighten packing or replace if needed
3. Lubricate needle and trigger - apply Airbrush Lube (AL-2) to needle shaft and trigger slot area.



- | | | |
|-----|-----------------|-----------------------------------|
| 1. | XI-41 | Cap |
| 1a. | TAF-3 | Fan Aircap for .66mm head |
| 2. | TA-1,2,3 or 4 | Aircap (TA-1 used w/ 0 & 1 heads) |
| 3. | TT-0,1,2,3 or 4 | Tip |
| 4. | MIL-12 | "O" Ring |
| 5. | TG-30 | Shell Assembly |
| 6. | TG-4 | Cup Cover |
| 7. | TAL-8 | Packing Assembly PTFE |
| 8. | TAL-37 | Trigger |
| 9. | TAL-14 | Valve Casing |
| 10. | TAL-36 | Valve Plunger (Includes O-ring) |
| 11. | A-53 | O-ring Pack of (6) O-rings |
| 12. | A-22 | Spring |
| 13. | TAL-22 | O-ring (Pack of (6) O-rings) |
| 14. | TAL-15 | Valve Adapter (with O-ring) |
| 17. | TAL-18 | Rocker Assembly |
| 18. | MIL-11 | Needle Spring |
| 19. | TAL-17 | Spring Housing |
| 20. | TAL-19 | Needle Lock Nut |
| 21. | MIL-12 | "O" Ring |
| 22. | TAL-20 | Handle |
| 23. | 3A-4 | "O" Ring |
| 24. | TN-0,1,2,3 or 4 | Needle |
| 25. | TAL-35 | Allen Wrench |
| 26. | TAL-28 | Wrench |
| 27. | TAL-33 | Needle Stop |
| 28. | TAL-34 | Handle w/ Needle Stop |

Optional Parts:

Head components:

- | | |
|--------------|---|
| TAF-3 | Fan Aircap for .66mm (use with TT-3 & TN-3) |
| TT-1, 3 or 4 | Tip (.25, .66 or 1mm) |
| TN-1, 3 or 4 | Needle (.25, .66 or 1mm) |
| TA-1, 3 or 4 | Aircap (.25, .66 or 1mm) |

Complete Head

- | | |
|---------|---------------------|
| T-227-1 | Size 1 Head (.25mm) |
| T-227-2 | Size 2 Head (.38mm) |
| T-227-3 | Size 3 Head (.66mm) |
| T-227-4 | Size 4 Head (1mm) |

Air hoses with Coupligs Installed

- | | |
|------------|--|
| A-1/8-size | Braided Airhose (6', 8', 10', 15', 20', 25' & 50') |
| 3A-4 | Airbrush side "O" ring |
| HPB-1/8-10 | 10' Black Plastic Airhose |

WARNING: Spray materials may be harmful if inhaled or allowed to come into contact with the skin or eyes. Consult the product label and material safety data sheet supplied for the spray material. Follow all safety precautions. **CAUTION:** Well Ventilated Area Required to remove fumes, dust or overspray. **Maximum Air Pressure 75 P.S.I.**

Accessories:



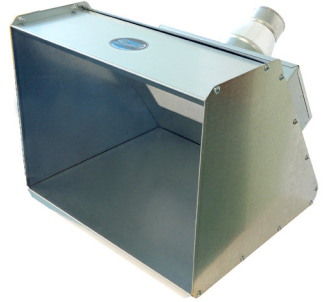
R-75
Regulator &
Moisture Trap



A-194
Airbrush Hanger



AC-7
Airbrush cleaning
brushes



HSSB-22-16
Hobby or artist airbrush spray booth



MT
Moisture Trap



A-191
Quick disconnect



AL-2
Airbrush Lube



D3000R
Airbrush compressor with tank